

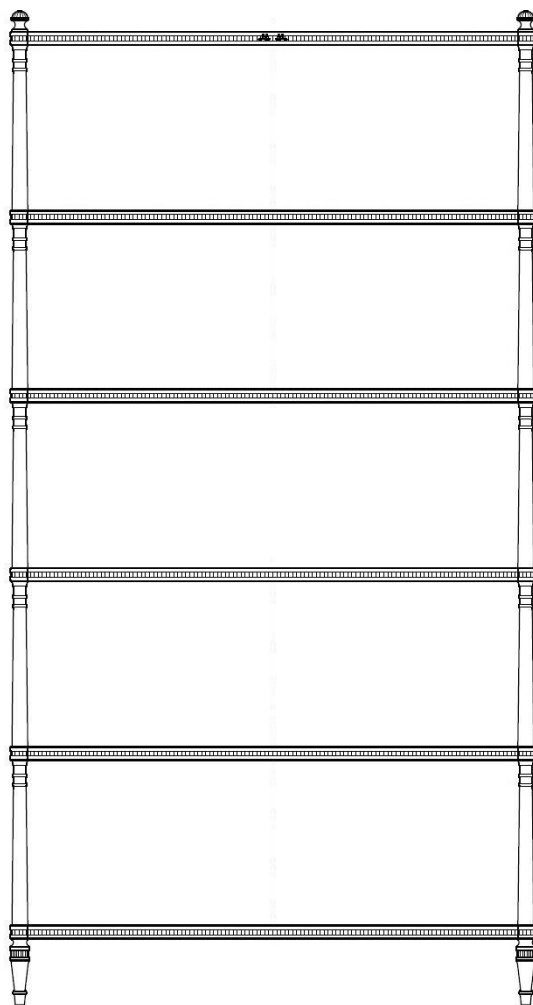


ELOQUENCE®

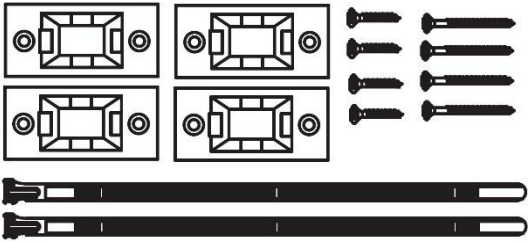
Maison Fondée en 2002

TRESOR BOOKSHELF

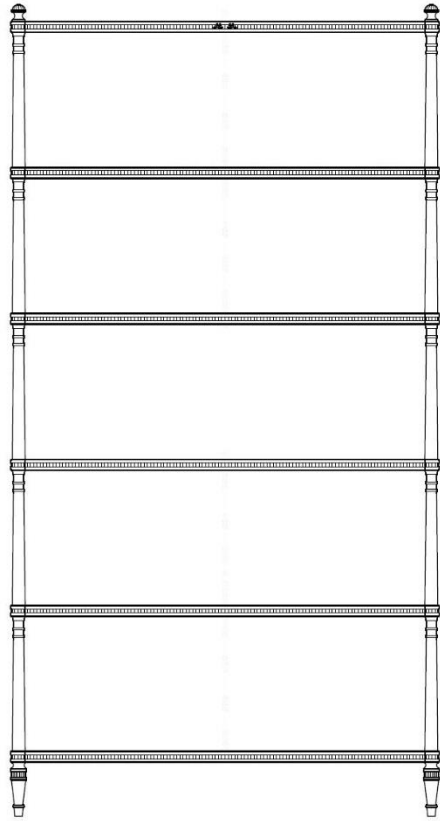
Assembly Instructions & Care



PARTS INCLUDED



Anti Tip Kit - Qty. 1

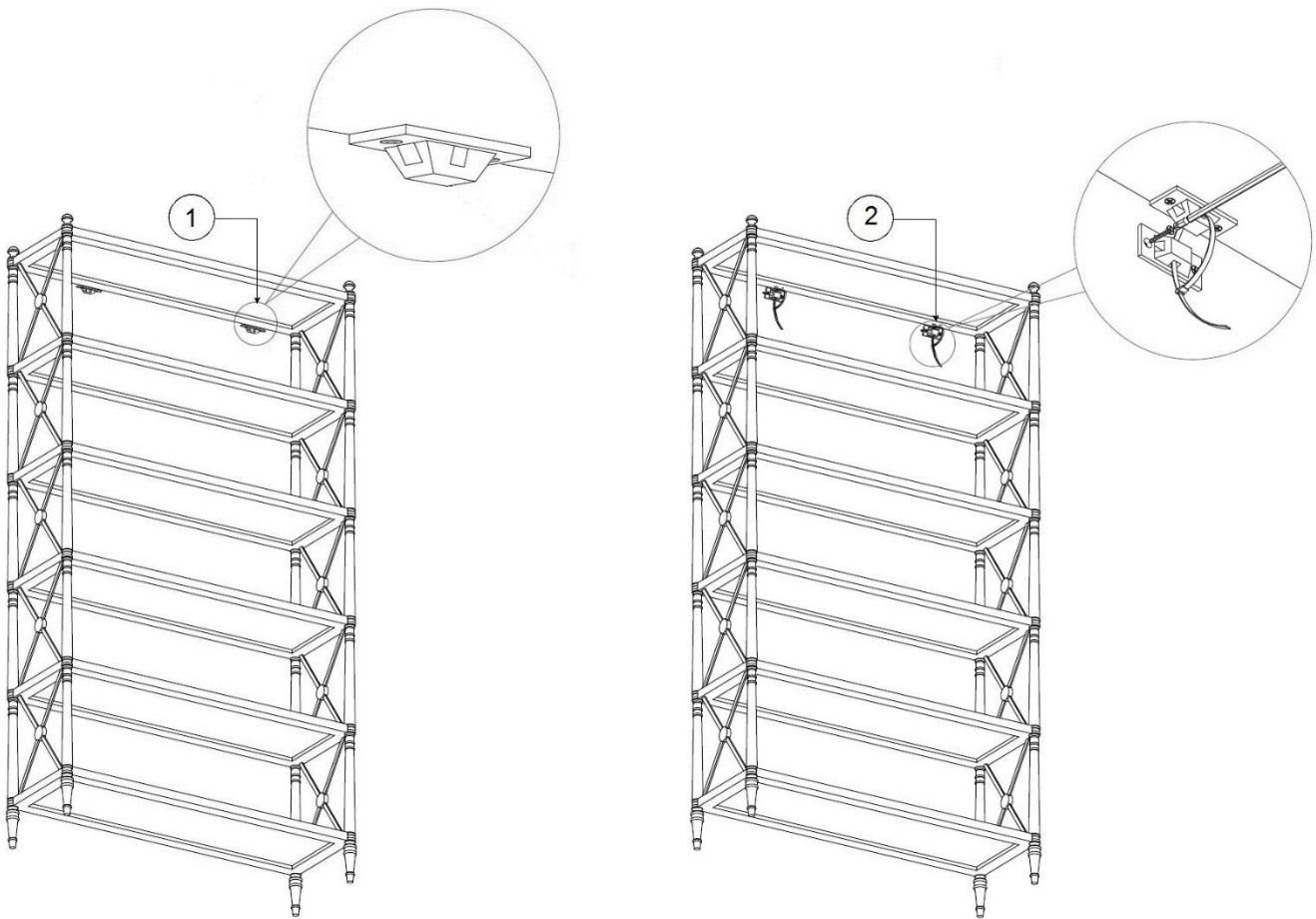


Book Shelf - Qty. 1

SAFETY INSTRUCTIONS

1. Always exercise care and precaution when moving heavy furniture, to avoid injury and/or damage to the product. You will need at least two people for this installation. Be mindful when moving and placing furniture as to not damage the flooring.
2. Periodically check all fixtures to ensure none have come loose. Re-tighten when necessary. Incorrect assembly of furniture can be dangerous, so please follow our directions.
3. No liability will be accepted for any damage or injury caused by incorrectly assembled furniture.

ASSEMBLY



ASSEMBLY INSTRUCTIONS

1. Provide a clean and clear area where you will be installing the bookshelf. With two people, lift carefully and set in the desired location.
2. Attach Anti Tip Brackets firmly to the top of the bookshelf, following the diagram for positioning with the screws. Repeat by attaching Anti Tip Brackets to the wall, positioning them in line with the brackets on the unit. Thread the strap provided through both brackets as shown and tighten strap until snug. Do not over tighten.

CARE INSTRUCTIONS

To clean, wipe with a soft, dry cloth. Do not use harsh or abrasive chemicals to clean as this may damage the finish.



ELOQUENCE®

Maison Fondée en 2002

WWW.ELOQUENCE.COM
3601 Holdrege Ave.
Los Angeles, CA 90016
T: 310-876-0661 F:310-876-0667
E: INFO@ ELOQUENCE.COM